

OVALTECH



GROUND-TO-GROUND GREENHOUSE

From start to finish, our team will be your best asset.



BRIGHTER
BY DESIGN



AN EFFICIENT GREENHOUSE, DESIGNED FOR DURABILITY & VALUE OVALTECH I - III - IV

Harnois is a family business, established in 1965. The third generation is now leading a large team of over 150 employees, designing, manufacturing, selling and installing quality greenhouse structures and equipment across 6 continents.

Experience the Harnois difference :

- Well engineered products, designed for quality, durability and long-term performance;
- True innovation, driven by continuous product improvement;
- Brighter greenhouses through optimized and efficient structures.



1970



1980



2010

KNOWLEDGEABLE TEAM

Responsiveness and expertise are the back bone of our customer service, positioning us as trusted advisors to growers. Through our dedicated team, customers feel supported and prepared to successfully tackle the challenges of today's agriculture, while meeting their business objectives, in any climate.

Whether you are a newcomer to horticulture or a seasoned grower looking to improve the profitability of their production, our freestanding greenhouse range can be customized to perfectly match the needs of your operation and your expectations.



SUPERIOR QUALITY OF STEEL

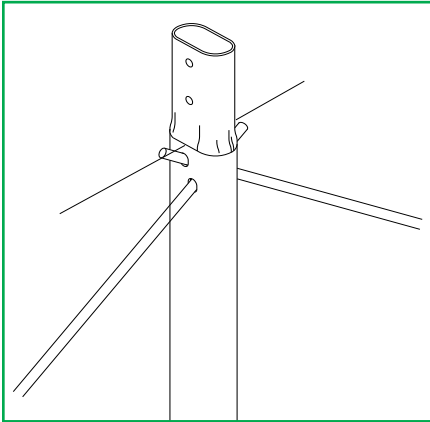
The Ovaltech greenhouse range is manufactured from stronger, high gauge steel, which makes them capable of withstanding higher snow and wind loads. We use three different sizes of oval tubing, based on the capacity needed.

Because each is stronger than comparable round tubing, they allow us to provide adequate loading capacity, as per the building code, while using wider arch spacing than what is commonly offered on the market. This results not only in a stronger greenhouse, but in a brighter one as well, thanks to a simplified structure that cast less shadow.

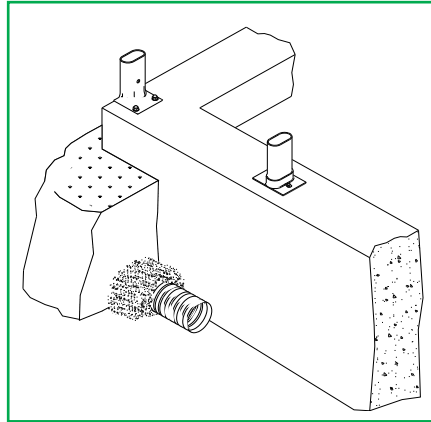


STATE-OF-THE-ART DESIGN

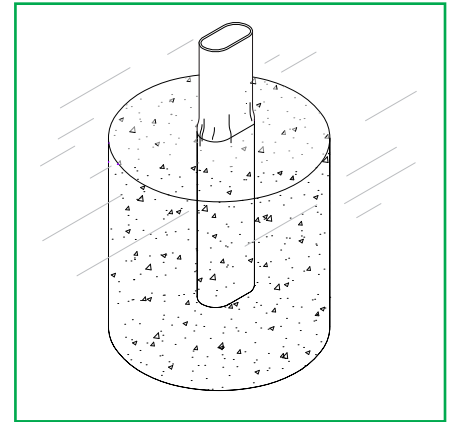
From foundation to gable ends, the Ovaltech greenhouse is designed to meet all applicable building codes. Our greenhouses can be engineered based on the agricultural code or the National Building Code, as is required for institutional or commercial greenhouses. We offer several foundation models so your greenhouse is as tailored as possible to your needs. All of our greenhouse plans can be stamped by an engineer, facilitating the building permit process.



X rods with anchor tubes.



Anchor plates for concrete.



Sonotube foundation.

COVERINGS

Choosing the right covering for your greenhouse can have a tremendous impact on the luminosity levels provided to the crops. Harnois selects only the most evolved greenhouse coverings, based on translucency and durability. Our covering range includes many options with specific properties such as light diffusion, anti-drip, thermal or sulphur resistance.



Double polyethylene films.



8mm Polycarbonate.



Shade cloth.

WELL DESIGNED AND EASY TO ASSEMBLE

The components of the Ovaltech have been designed to facilitate its construction and it shows in several installation details. The pre-drilled parts minimize assembly time and steps.

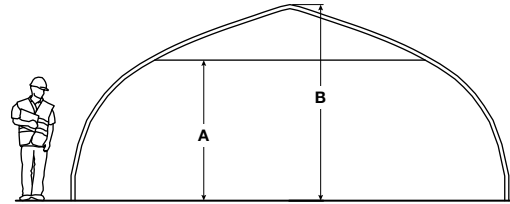


THE OVALTECH GREENHOUSE

The popularity of the Ovaltech testifies to its versatility and durability. It has become the standard in terms of wind and snow resistance. Its efficient design lets abundant light in, which promotes uniform crop growth across the greenhouse. Furthermore, it is engineered to enhance natural ventilation, creating a favorable environment for healthy crops while saving energy.

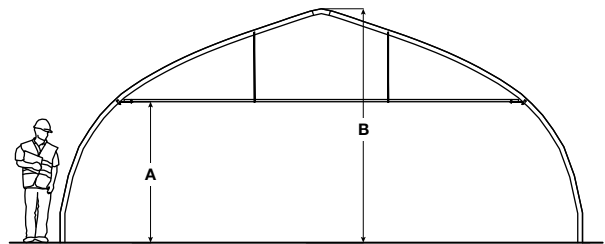
COLD FRAME

Width	20'
Arch spacing	6'-6" (2 meters)
Inside clearance A	6'-6"
Total height B	9'-2"
Tubing dimensions	1- ⁵ / ₈ " x 2- ³ / ₄ "



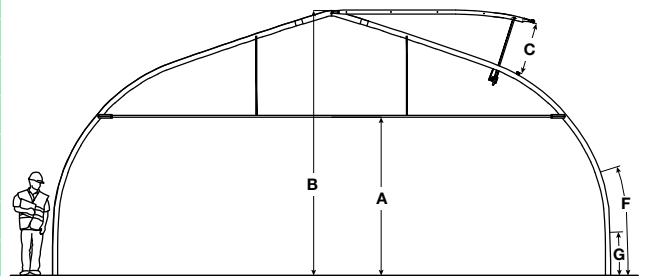
OVALTECH I

Width	25'	27'
Arch spacing	5'	5'
Inside clearance A	6'-9"	6'-9"
Total height B	11'-2- ⁷ / ₆ "	11'-6- ³ / ₈ "
Tubing dimensions	1- ⁵ / ₈ " x 2- ³ / ₄ "	



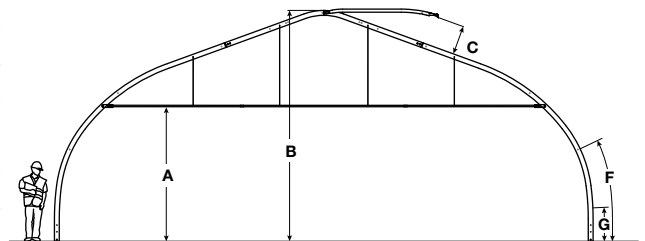
OVALTECH III

Width	25'	30'	32'	35'
Arch spacing	6'	3' - 5' - 6' - 8'	3' - 5' - 6'	5' - 6'
Inside clearance A	9'			
Total height B	14'-1- ¹ / ₈ "	14'-11- ¹ / ₈ "	15'-2- ³ / ₈ "	15'-9"
Tubing dimensions	2" x 3- ⁹ / ₁₆ "			
Mid-roof vent C	s. o.	37"		
Single D or Double Roof vent E	32- ³ / ₄ "			
Roll-up vent F	72" ou 84"			
Skirt G	24" à 30"			



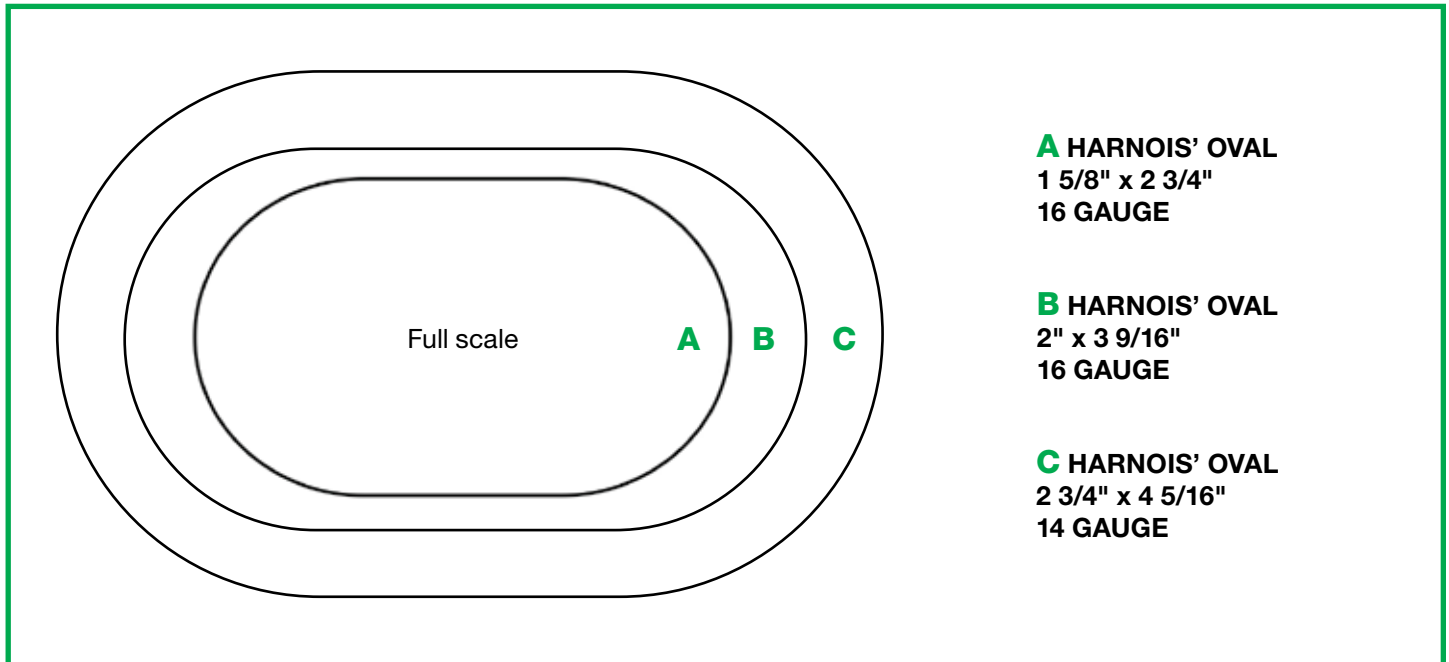
OVALTECH IV

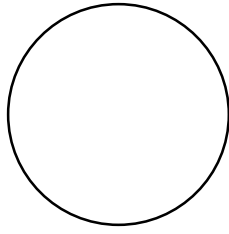
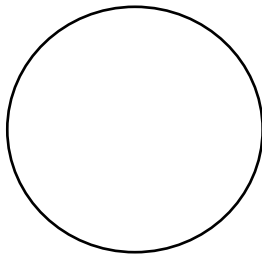
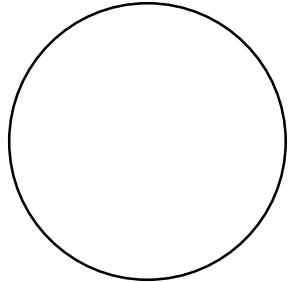
Width	25'	30'	32'	35'	40'	42'
Arch spacing	6'	6'	6'	3', 4', 5', 6'		
Inside clearance A	9'-1"			10'		
Total height B	14'-1- ³ / ₁₆ "	14'-10- ⁵ / ₁₆ "	15'-2"	16'-7"	17'-1- ¹¹ / ₁₆ "	17'-2"
Tubing dimensions	2- ³ / ₄ " x 4- ⁵ / ₁₆ "					
Mid-roof vent C	s. o.	29"	32- ³ / ₄ "	26- ³ / ₈ "	35- ⁷ / ₈ "	32- ⁵ / ₈ "
Single D or Double Roof vent E	28- ⁷ / ₈ "	28-1/2"		31-1/4"		31- ³ / ₄ "
Roll-up vent F	72" ou 84"			84" ou 120"		
Skirt G	24" to 30"					



ADVANTAGES & BENEFITS OF HARNOIS' ARCHES:

- Made from oval tubing which offers **the best ratio of strength to steel weight**;
- We only use graded, 50 ksi certified steel, **which is 52% stronger than the commercial steel commonly used**;
- Superior load capacity of each arch, **which allows greater arch spacing** without compromising the greenhouse's structural integrity;
- Together, they create a brighter, **optimized structure that cast less shadows**.



HARNOIS' OVAL TUBING COMPARED TO OTHER COMMONLY USED GREENHOUSE TUBING	1.90" ROUND TUBE 14 GAUGE	2" ROUND TUBE 14 GAUGE	2 3/8" ROUND TUBE 16 GAUGE
			
OVAL TUBE A	Oval is 100% stronger	Oval is 75% stronger	Oval is 28% stronger
OVAL TUBE B	Oval is 4.5 times stronger	Oval is 3.9 times stronger	Oval is 2.8 times stronger
OVAL TUBE C	This tube is in a class of itself; it compares to none! It allows Harnois to design the widest & strongest freestanding greenhouses on the market!		

A COMPLETE RANGE OF GREENHOUSE EQUIPMENT

Harnois offers a large variety of quality greenhouse equipment to accessorize your greenhouse operation, from the basic systems to the most sophisticated ones. They all integrate seamlessly with the greenhouse installation, offering you the possibility of sourcing a complete growing system from a single supplier. Our experts will lead you through our equipment catalog to find what you need at the price you want.



Tables



Irrigation



Aquaboom



Heating



Substrate



Climate Control

Since 1965, Harnois is the leader in greenhouse structures. It offers complete, customized greenhouse systems, perfectly adapted to the requirements of each project, in any climate. Growers around the world trust us for our expertise and it motivates us to continue being an industry leader.



BRIGHTER
BY DESIGN

Harnois Industries Inc.

1044 Principale, Saint-Thomas, Quebec, Canada J0K 3L0

Tel.: 450.756.1041 Toll free: 1.888.427.6647

Fax: 450.756.8389

HARNOIS.COM | info@harnois.com

